

DAB SERIES Outdoor Lighting

DAB-SOL-B20-50W-MCT
SOLAR DESIGNER AREA BELL LIGHT SYSTEM

MCT Multi Color Temperature (Selectable)



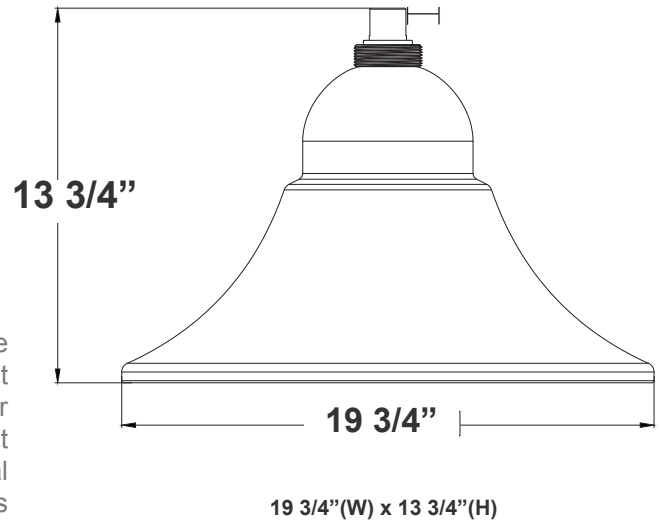
The Solar Designer Area Bell Light System is an innovative solar-powered lighting solution designed for outdoor areas. It combines energy-efficient LED lighting with solar panels for sustainable, off-grid illumination. Featuring a stylish design, it includes an integrated bell system for alerts or ambiance. Ideal for parks, walkways, and public spaces, this system enhances safety and aesthetics while reducing energy costs.

Customer Name: _____

Project Name: _____

Note: _____

Type: _____



Features

- AL1060 Aluminum Hosing, Outdoor Powder Coating
- 7-Year Warranty
- Multi CCT and Power: Selectable Switch Inside Of The Fixture

Technical Specifications

Electrical:

- Wattage: 50W
- Power Factor: 0.9
- THD<20%
- Efficacy: 160LM/W

Mechanical:

- AL1060 Aluminum Hosing, Outdoor Powder Coating
- EPA rating is 1.92 square feet.
- Aluminum LED board: High Conductive, Waterproof, Aging Resistance, Salt eResistance
- Programmable Bi-Level Motion Sensor & Emergency Backup Options
- Operating Temperature: -40°F~104°F
- IP Rating: IP66, Suitable for Wet Locations
- 7-Year Warranty

Battery:

- Battery Charge Time To Full Level: 6 to 12 Hours Depending On The Sunlight Quality, See The Map On Page 3
- Battery Type: LiFePO4
- Battery Life: More Than 2000 Cycles (2000/365days=5.47 Years) With Overcharge and Over-Discharge Protection
- Operation On Full Charge: 10 hrs. Depending On The Sunlight Quality, See The Map On Page 3

Lighting:

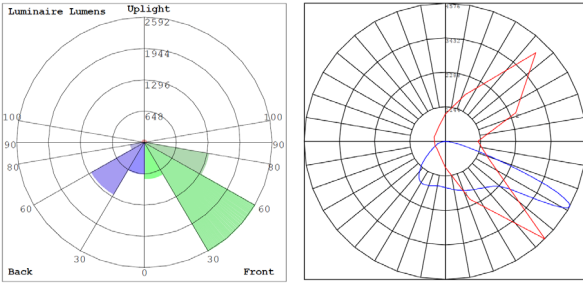
- MCT: Multi Color Temperature (Selectable)
- Lens: High Light Transmittance PC, anti-UV and Fire Resistant
- LED: Lumileds 2835
- Total Lumens: 8000LM Max.
- Color Temperature: 3000K/4000K/5000K
- Color Rendering index: >70
- Beam Angle: Type V (150° X 150°)
- Lifespan: 70000 Hrs.

Applications:

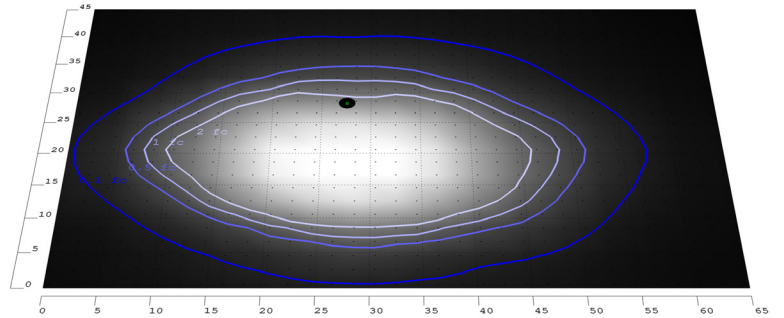
- Ideal For Garden, Amusement Park, Residential Quarter , Industrial Park And Pedestrian street.



Photometrics: DAB-SOL-B20-50W-MCT



BUD Rating: B3-U0-G2



50W 5000K, Area 45'x 65' Mounting Height: 9'

Performance Table: DAB-SOL-B20-50W-MCT

MODEL NO.	Wattage	Voltage	Lumens	Color Temp.	BUG Rating	LPW
DAB-SOL-B20-50W-MCT	50W	120-277V	8000LM	3000K 4000K 5000K	B3-U0-G2	160

Sample Ordering

Model	Solar	Size	Watt	Color Temp.
DAB	SOL	B20	50W	MCT

Accessories:

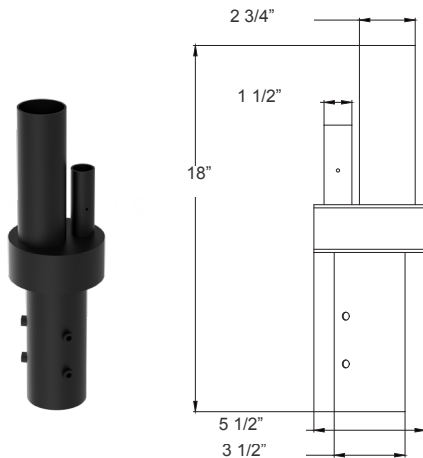
Blank = No Option
 DAB-BA = Dab Bell Arm For Mounting On Single Or Double Pole Adapter, Black
 DAB-SOL-MOD-50W = Solar Power Engine And Panel, 50W Maximum Fixture Power, With 32In Mast
 DAB-SOL-PA3-1 = 3 Inches Pole-Top Adapter For 1 Solar Bell-Light Arm + Solar Engine Mast
 DAB-SOL-PA4-1 = 4 Inches Pole-Top Adapter For 1 Solar Bell-Light Arm + Solar Engine Mast
 DAB-SOL-PA5-1 = 5 Inches Pole-Top Adapter For 1 Solar Bell-Light Arm + Solar Engine Mast
 DAB-SOL-PA3-2 = 3 Inches Pole-Top Adapter For 2 Solar Bell-Light Arms + Solar Engine Mast
 DAB-SOL-PA4-2 = 4 Inches Pole-Top Adapter For 2 Solar Bell-Light Arms + Solar Engine Mast
 DAB-SOL-PA5-2 = 5 Inches Pole-Top Adapter For 2 Solar Bell-Light Arms + Solar Engine Mast

ACCESSORIES:



DAB-BA

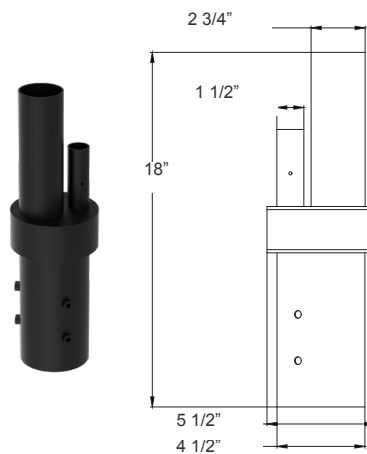
Pole Arm Mounts/Adaptor:



DAB-SOL-PA3-1

3 1/2"(W) x 18"(H)

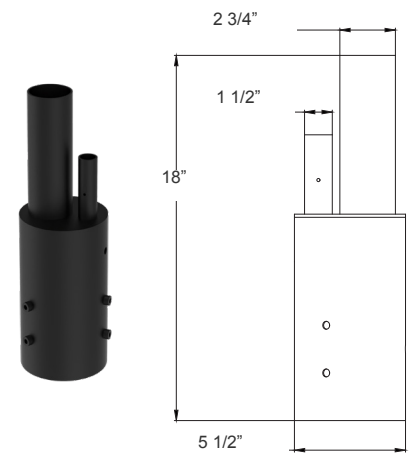
3 Inches Pole-Top Adapter For 1 Solar Bell-Light Arms



DAB-SOL-PA4-1

4 1/2"(W) x 18"(H)

4 Inches Pole-Top Adapter For 1 Solar Bell-Light Arms



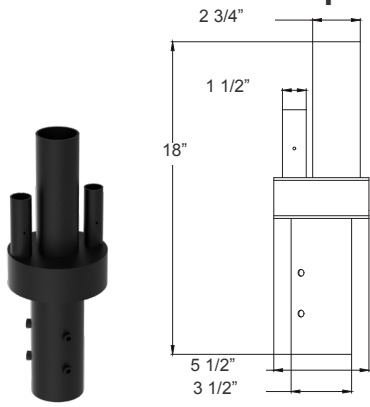
DAB-SOL-PA5-1

5 1/2"(W) x 18"(H)

5 Inches Pole-Top Adapter For 1 Solar Bell-Light Arms

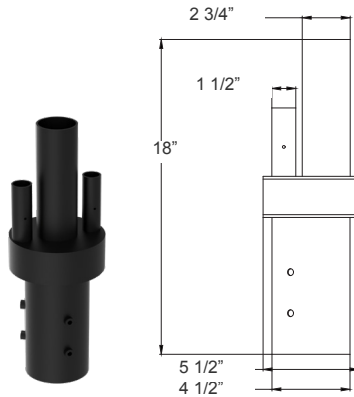


Pole Arm Mounts/Adaptor:



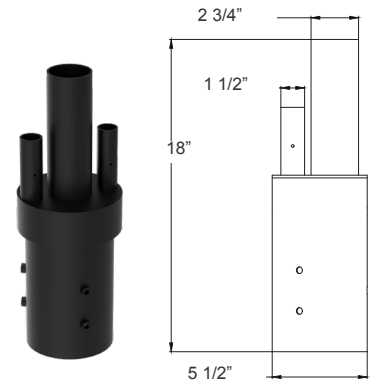
DAB-SOL-PA3-2
3 1/2"(W) x 18"(H)

3 Inches Pole-Top Adapter For 2 Solar Bell-Light Arms



DAB-SOL-PA4-2
4 1/2"(W) x 18"(H)

4 Inches Pole-Top Adapter For 2 Solar Bell-Light Arms



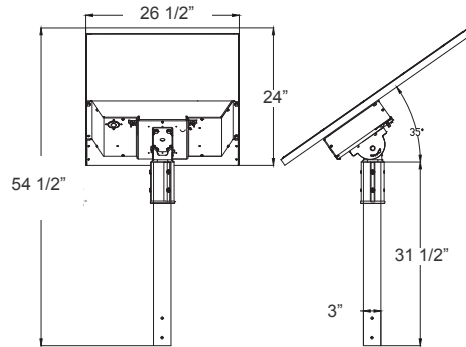
DAB-SOL-PA5-2
5 1/2"(W) x 18"(H)

5 Inches Pole-Top Adapter For 2 Solar Bell-Light Arms

ACCESSORIES:



DAB-SOL-MOD-50W
16 1/2"(W) x 12"(H)



DAB-SOL-B20-50W-MCT

DAB-SOL-B20: 20" Bell Light System
DAB-SOL-MOD-50W: Solar Power Engine And Panel, 50W Maximum Fixture Power, With 32In Mast
DAB-SOL-PA3-2: 3 Inches Pole-Top Adapter For 2 Solar Bell-Light Arms + Solar Engine Mast
DAB-BA: Dab Bell Arm For Mounting On Single Or Double Pole Adapter, Black

*Pole Not Incl.



DAB-SOL-B20-50W-MCT

DAB-SOL-B20: 20" Bell Light System
DAB-SOL-MOD-50W: Solar Power Engine And Panel, 50W Maximum Fixture Power, With 32In Mast
DAB-SOL-PA4-2: 4 Inches Pole-Top Adapter For 2 Solar Bell-Light Arms + Solar Engine Mast
DAB-BA: Dab Bell Arm For Mounting On Single Or Double Pole Adapter, Black

*Pole Not Incl.



DAB-SOL-B20-50W-MCT

DAB-SOL-B20: 20" Bell Light System
DAB-SOL-MOD-50W: Solar Power Engine And Panel, 50W Maximum Fixture Power, With 32In Mast
DAB-SOL-PA5-2: 5 Inches Pole-Top Adapter For 2 Solar Bell-Light Arms + Solar Engine Mast
DAB-BA: Dab Bell Arm For Mounting On Single Or Double Pole Adapter, Black

*Pole Not Incl.



DAB-SOL-B20-50W-MCT

DAB-SOL-B20: 20" Bell Light System
DAB-SOL-MOD-50W: Solar Power Engine And Panel, 50W Maximum Fixture Power, With 32In Mast
DAB-SOL-PA3-1: 3 Inches Pole-Top Adapter For 1 Solar Bell-Light Arms + Solar Engine Mast
DAB-BA: Dab Bell Arm For Mounting On Single Or Double Pole Adapter, Black

*Pole Not Incl.



DAB-SOL-B20-50W-MCT

DAB-SOL-B20: 20" Bell Light System
DAB-SOL-MOD-50W: Solar Power Engine And Panel, 50W Maximum Fixture Power, With 32In Mast
DAB-SOL-PA4-1: 4 Inches Pole-Top Adapter For 1 Solar Bell-Light Arms + Solar Engine Mast
DAB-BA: Dab Bell Arm For Mounting On Single Or Double Pole Adapter, Black

*Pole Not Incl.



DAB-SOL-B20-50W-MCT

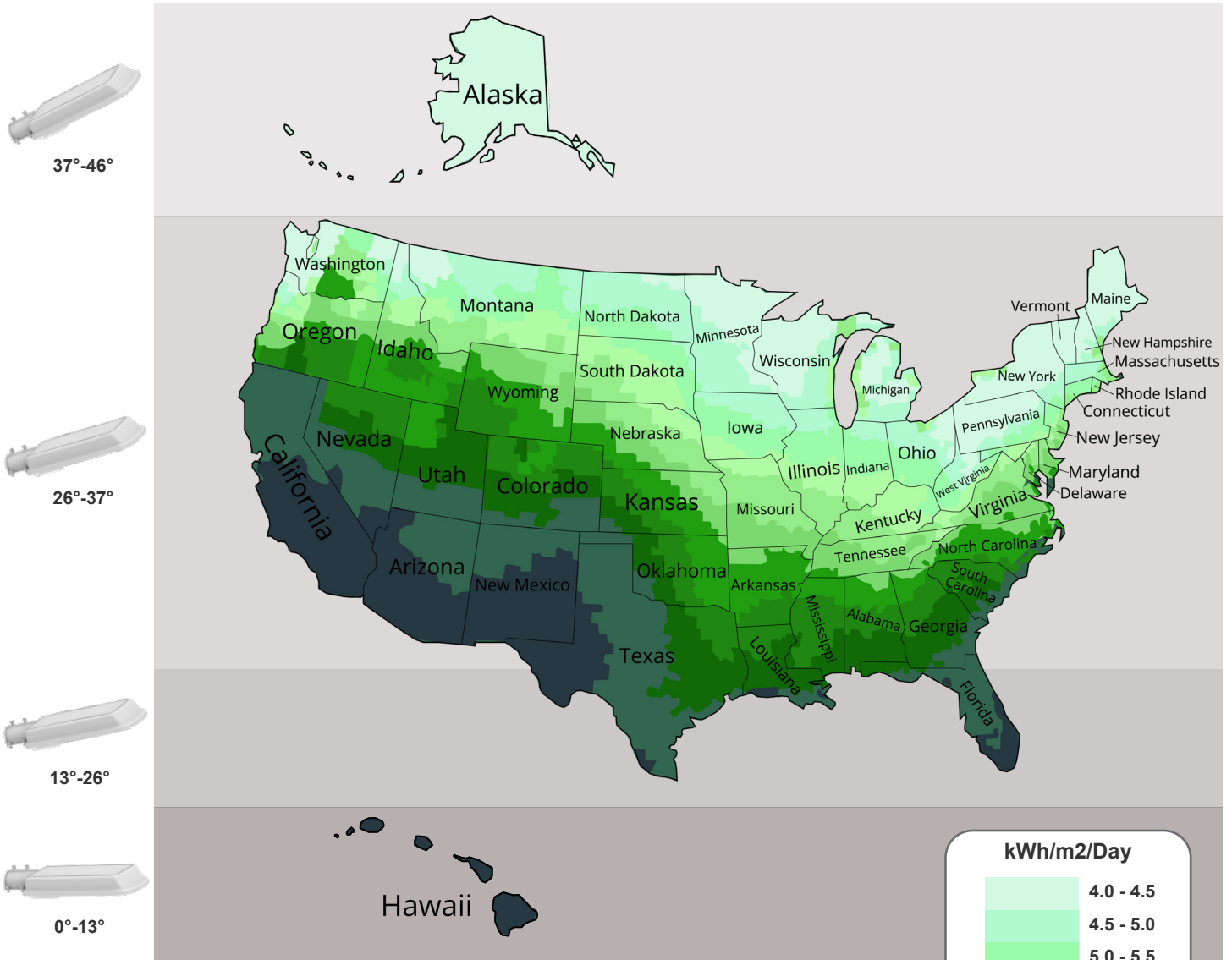
DAB-SOL-B20: 20" Bell Light System
DAB-SOL-MOD-50W: Solar Power Engine And Panel, 50W Maximum Fixture Power, With 32In Mast
DAB-SOL-PA5-1: 5 Inches Pole-Top Adapter For 1 Solar Bell-Light Arms + Solar Engine Mast
DAB-BA: Dab Bell Arm For Mounting On Single Or Double Pole Adapter, Black

*Pole Not Incl.



Average Daily Solar Radiation Per Month:

Increasing the tilt 15° in the winter or decreasing 15° in the summer gives the maximum sunlight for recharging the battery.









- The best facing direction for the solar panel is toward the south. facing west & east & north will provide less sunlight, resulting in a long time to charge the battery. The solar charge will be less optimal if the installation is facing north.






EPA Rating:

EPA of DAB Series

The height of the pole DAB-A16-50-100W- MCTP-SR	10'	12'	14'	16'	18'	20'
		4	4.47	4.94	5.41	5.88
	3.49	3.96	4.43	4.9	5.37	5.84
	5.6	6.07	6.54	7.01	7.48	7.95

The height of the pole DAB-B20-50-100W- MCTP-SR	10'	12'	14'	16'	18'	20'
		4.13	4.6	5.07	5.54	6.01
	3.56	4.03	5.5	5.97	6.44	6.91
	5.86	6.33	6.8	7.27	7.74	8.21

The height of the pole DAB-B23-80-150W- MCTP-SR	10'	12'	14'	16'	18'	20'
		4.54	5.01	5.48	5.95	6.42
	3.91	4.38	4.85	5.32	5.79	6.26
	6.74	7.21	7.68	8.15	8.62	9.09



COLOR CHART: * Choose from one of our Premium Colors with no set-up fee.

Gloss:



Hammer:



Texture:



Vein:

